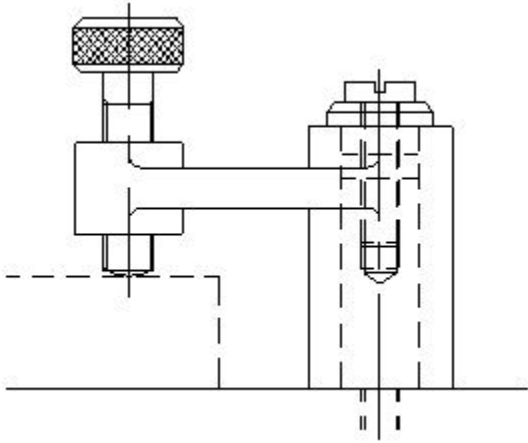


1). What is the name of the clamp shown in the figure?



- (A) Cam clamp
 - (B) Screw clamp
 - (C) Wedge clamp
 - (D) Toggle clamp
- Correct Answer: B

2). Which metal is extracted from Bauxite ore?

- (A) Zinc
 - (B) Brass
 - (C) Copper
 - (D) Aluminium
- Correct Answer: D

3). Which type of belt is used if the distance between the shafts are too short?

- (A) V' belt
 - (B) Flat belt
 - (C) Link belt
 - (D) Ribbed belt
- Correct Answer: A

4). What causes a belt to whip excessively?

- (A) Centre distance between the pulleys is more
 - (B) Less tension
 - (C) Overload
 - (D) High starting torque
- Correct Answer: A

5). Why tenons are provided at the bottom of base plate of milling fixture?

- (A) For guiding the tool
 - (B) For clamping purpose
 - (C) For balancing the workpiece
 - (D) For proper location of fixture
- Correct Answer: D

6). Which device holds, supports, locates and guides the cutting tool for operation?

- (A) Jig
 - (B) Fixture
 - (C) Chuck
 - (D) Machine vice
- Correct Answer: A

7). Why standard brass is suitable for most engineering process?

- (A) Suitable for hot working
 - (B) Has ductile property
 - (C) Suitable for cold working
 - (D) Has less ductile property
- Correct Answer: D

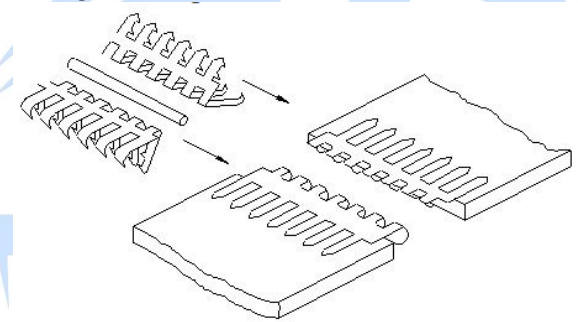
8). Which is an alloy Copper and Zinc?

- (A) Aluminium
 - (B) Gunmetal
 - (C) Brass
 - (D) Bronze
- Correct Answer: C

9). What is the purpose of setting blocks in fixture?

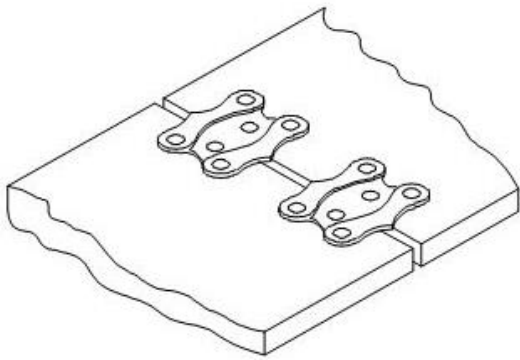
- (A) To position the balancing weight
 - (B) To position the clamp and locators
 - (C) To position the fixture on machine table
 - (D) To position the work related to cutter
- Correct Answer: D

10). What is the name of the belt fastener shown in the figure?



- (A) Wire type
 - (B) Lagrelle type
 - (C) Alligator type
 - (D) Crescent plate type
- Correct Answer: C

11). What is the name of the belt fastener shown in the figure?



- (A) Wire type belt fastener
 - (B) Alligator type belt fastener
 - (C) Jackson type belt fastener
 - (D) Crescent plate belt fastener
- Correct Answer: D

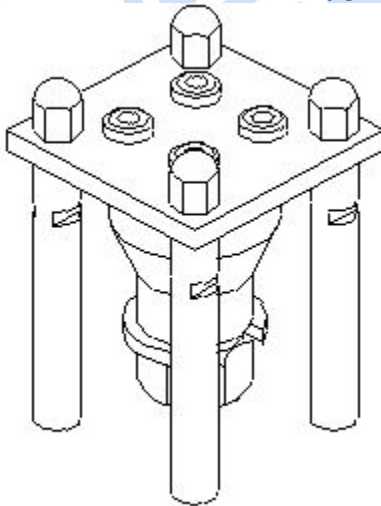
12). Why pure aluminium is not good for making threaded fasteners?

- (A) Heavy weight metal
 - (B) Good machinability
 - (C) Low tensile strength
 - (D) Higher strength
- Correct Answer: C

13). Which part restricts movement of the component in Jig?

- (A) Clamp
 - (B) Guide plate
 - (C) Locating pin
 - (D) Press fit bush
- Correct Answer: C

14). What is the name of the jig shown in the figure?



- (A) Box jig
- (B) Post jig
- (C) Turn over jig

(D) Sandwich jig
Correct Answer: C

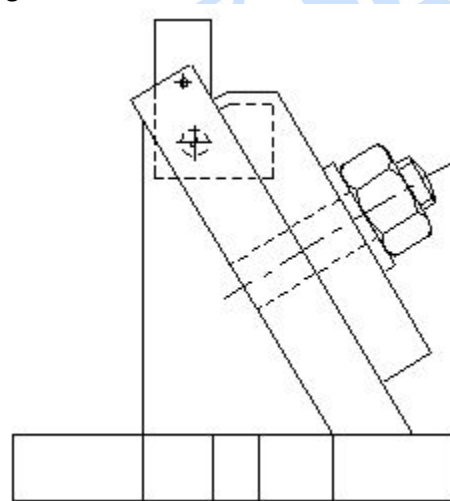
15). Why vertical belt drive is avoided in power transmission?

- (A) Because of the small wrapping of belt
 - (B) Because of the excessive contact
 - (C) Because of the gravitational pull and slippage
 - (D) Because of the increase in surface speed of pulleys
- Correct Answer: C

16). What is the colour of the Aluminium metal?

- (A) Yellow
 - (B) Reddish
 - (C) Whitish grey
 - (D) Silvery white
- Correct Answer: C

17). What is the name of the fixture shown in the figure?



- (A) Plate fixture
 - (B) Angel plate fixture
 - (C) Indexing plate fixture
 - (D) Modified angle plate fixture
- Correct Answer: D

18). What is the purpose of drill bushes in the drill jig?

- (A) To support the base plate
 - (B) To support the drill plate
 - (C) To locate and guide the cutting tool
 - (D) To restrict the movement of job
- Correct Answer: C

19). Why aluminium is used widely in aircraft industries?

- (A) Light weight

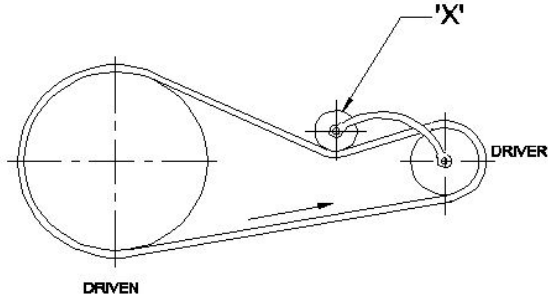
- (B) Hard and Brittle
- (C) More strength
- (D) Low thermal conductivity

Correct Answer: A

- (B) Cheap in cost
- (C) Easy soldering
- (D) Good conductor

Correct Answer: D

20). What is the name of the part marked as 'x' shown in the figure?



- (A) Step pulley
- (B) Driver pulley
- (C) Driven pulley
- (D) Jockey pulley

Correct Answer: D

24). How can slip between the belt and pulley in a belt drive be reduced?

- (A) By reducing the pulley ratio
- (B) By increasing the pulley ratio
- (C) By dressing the pulley
- (D) By applying hard coating on pulleys

Correct Answer: A

25). What is the name of metal alloy of Lead, Tin, Copper and Antimony?

- (A) Bronze
- (B) Gilding metal
- (C) Babbitt metal
- (D) Lead bronze

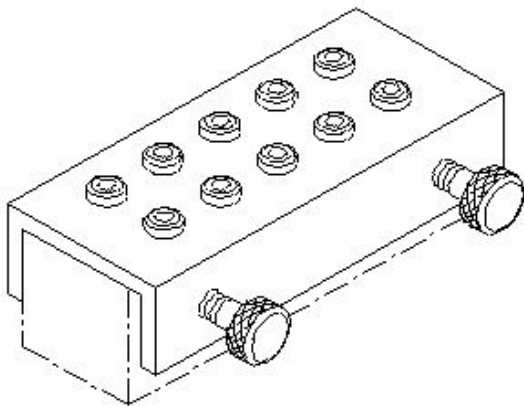
Correct Answer: C

21). What is the effect of excessive tension in belt drive?

- (A) Speed increases
- (B) Speed reduces
- (C) Life of belt increases
- (D) Life of belt decreases

Correct Answer: D

22). What is the name of the jig shown in the figure?



- (A) Post jig
- (B) Solid jig
- (C) Channel jig
- (D) Trunnion jig

Correct Answer: C

23). Why copper is extensively used in electrical cables and appliances?

- (A) Ductile metal

